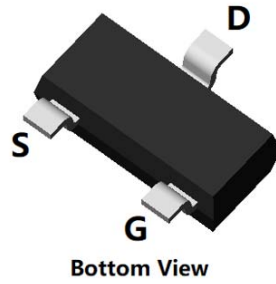
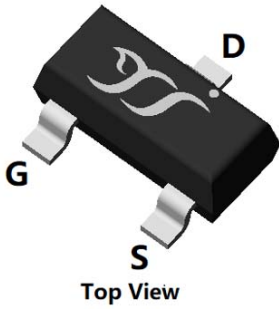
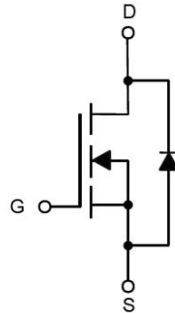


## N-Channel Enhancement Mode Field Effect Transistor



**SOT-23**



### Product Summary

• $V_{DS}$	60V
• $I_D$	3.0A
• $R_{DS(ON)}$ ( at $V_{GS}=10V$ )	< 100mohm
• $R_{DS(ON)}$ ( at $V_{GS}=4.5V$ )	< 120mohm

### General Description

- Trench Power MV MOSFET technology
- Excellent package for heat dissipation
- High density cell design for low  $R_{DS(ON)}$
- Moisture Sensitivity Level 1
- Epoxy Meets UL 94 V-0 Flammability Rating
- Halogen Fre
- Part no. with suffix "Q" means AEC-Q101 qualified

### Applications

- DC-DC Converters
- Power management functions

### ■ Absolute Maximum Ratings ( $T_A=25^\circ\text{C}$ unless otherwise noted)

Parameter		Symbol	Limit	Unit
Drain-source Voltage		$V_{DS}$	60	V
Gate-source Voltage		$V_{GS}$	$\pm 20$	V
Drain Current	$T_A=25$	$I_D$	3	A
	$T_A=70$		2.4	
Pulsed Drain Current <sup>A</sup>		$I_{DM}$	12	A
Total Power Dissipation	$T_A=25$	$P_D$	1.2	W
	$T_A=70$		0.8	
Thermal Resistance Junction-to-Ambient <sup>B</sup>		$R_{\theta JA}$	104	/ W
Junction and Storage Temperature Range		$T_J, T_{STG}$	-55~+150	

### ■ Ordering Information (Example)

PREFERRED P/N	PACKING CODE	Marking	MINIMUM PACKAGE(pcs)	INNER BOX QUANTITY(pcs)	OUTER CARTON QUANTITY(pcs)	DELIVERY MODE
YJL03N06AQ	F2	S10.	3000	30000	120000	7" reel



# YJL03N06AQ

## ■ Electrical Characteristics (T<sub>J</sub>=25°C unless otherwise noted)

Parameter	Symbol	Conditions	Min	Typ	Max	Units
<b>Static Parameter</b>						
Drain-Source Breakdown Voltage	BV <sub>DSS</sub>	V <sub>GS</sub> =0V, I <sub>D</sub> =250μA	60			V
Zero Gate Voltage Drain Current	I <sub>DSS</sub>	V <sub>DS</sub> =60V, V <sub>GS</sub> =0V			1	μA
Gate-Body Leakage Current	I <sub>GSS1</sub>	V <sub>GS</sub> =±20V, V <sub>DS</sub> =0V			±100	nA
	I <sub>GSS2</sub>	V <sub>GS</sub> =±10V, V <sub>DS</sub> =0V			±50	
Gate Threshold Voltage	V <sub>GS(th)</sub>	V <sub>DS</sub> =V <sub>GS</sub> , I <sub>D</sub> =250μA	0.9	1.3	2.0	V
Static Drain-Source On-Resistance	R <sub>DS(on)</sub>	V <sub>GS</sub> =10V, I <sub>D</sub> =3A		86	100	mΩ
		V <sub>GS</sub> =4.5V, I <sub>D</sub> =2A		92	120	
Diode Forward Voltage	V <sub>SD</sub>	I <sub>S</sub> =3A, V <sub>GS</sub> =0V			1.2	V
<b>Dynamic Parameters</b>						
Input Capacitance	C <sub>iss</sub>	V <sub>DS</sub> =10V, V <sub>GS</sub> =0V, f=1MHZ		409		pF
Output Capacitance	C <sub>oss</sub>			50		
Reverse Transfer Capacitance	C <sub>rss</sub>			41		
<b>Switching Parameters</b>						
Total Gate Charge	Q <sub>g</sub>	V <sub>GS</sub> =10V, V <sub>DS</sub> =30V, I <sub>D</sub> =3A		10.27		nC
Gate-Source Charge	Q <sub>gs</sub>			1.65		
Gate-Drain Charge	Q <sub>gd</sub>			2.11		
Reverse Recovery Charge	Q <sub>rr</sub>	I <sub>F</sub> =3A, di/dt=100A/us		6.99		ns
Reverse Recovery Time	t <sub>rr</sub>			32.6		
Turn-on Delay Time	t <sub>D(on)</sub>	V <sub>GS</sub> =10V, V <sub>DS</sub> =30V, R <sub>L</sub> =20Ω R <sub>GEN</sub> =3Ω		3.6		ns
Turn-on Rise Time	t <sub>r</sub>			17.6		
Turn-off Delay Time	t <sub>D(off)</sub>			13		
Turn-off fall Time	t <sub>f</sub>			23		

A. Pulse Test: Pulse Width ≤ 300us, Duty cycle ≤ 2%.

B. R<sub>θJA</sub> is the sum of the junction-to-case and case-to-ambient thermal resistance, where the case thermal reference is defined as the solder mounting surface of the drain pins. R<sub>θJC</sub> is guaranteed by design, while R<sub>θJA</sub> is determined by the board design. The maximum rating presented here is based on mounting on a 1 in 2 pad of 2oz copper.



■ Typical Performance Characteristics

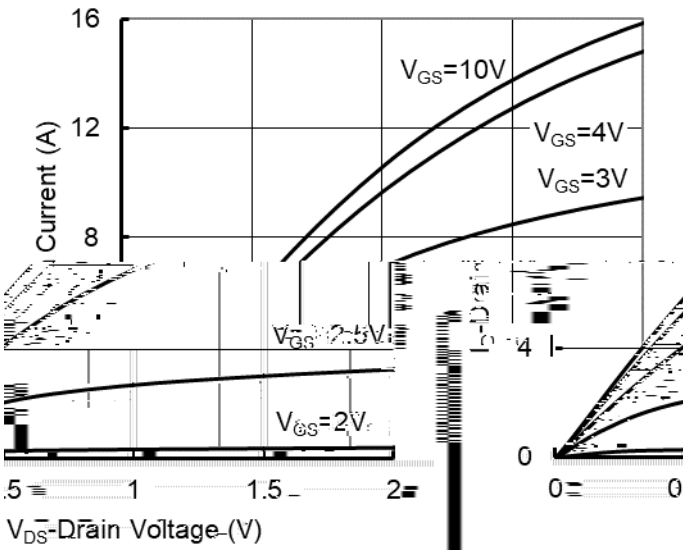


Figure1. Output Characteristics

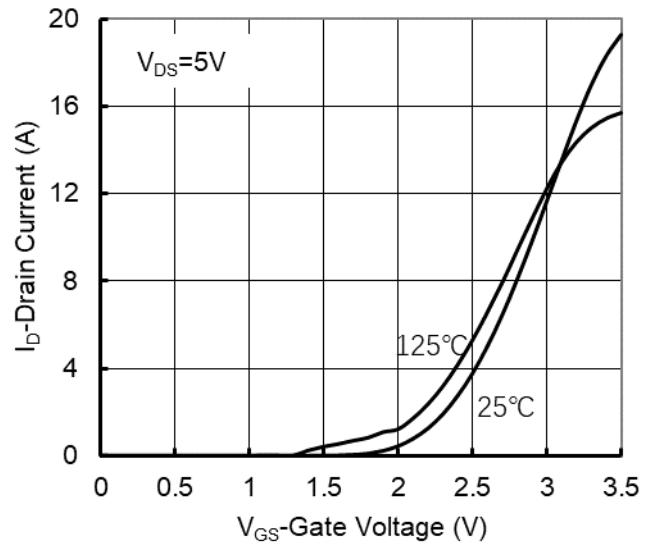


Figure2. Transfer Characteristics

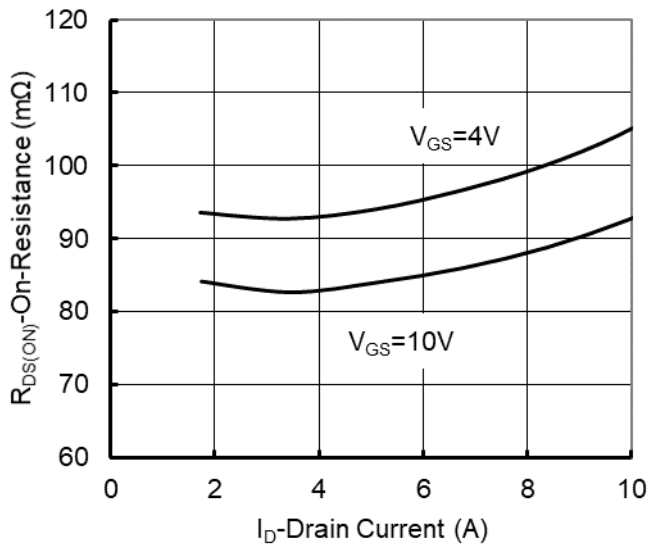


Figure 3: On-Resistance vs. Drain Current and Gate Voltage

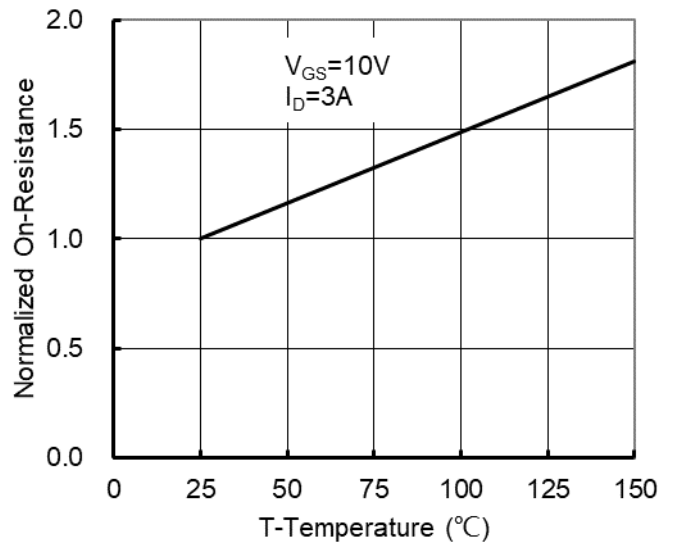


Figure 4: On-Resistance vs. Junction Temperature

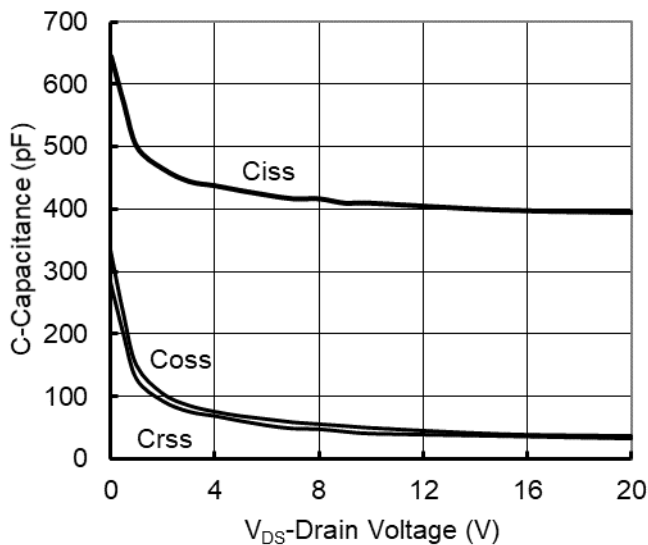


Figure5. Capacitance Characteristics

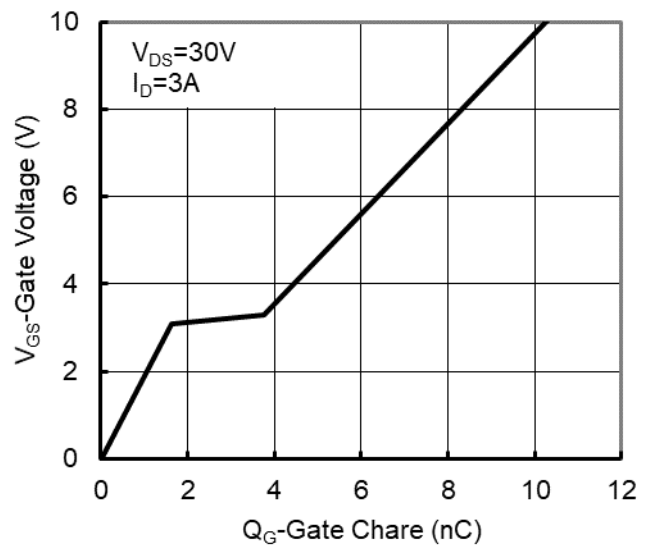


Figure6. Gate Charge



# YJL03N06AQ

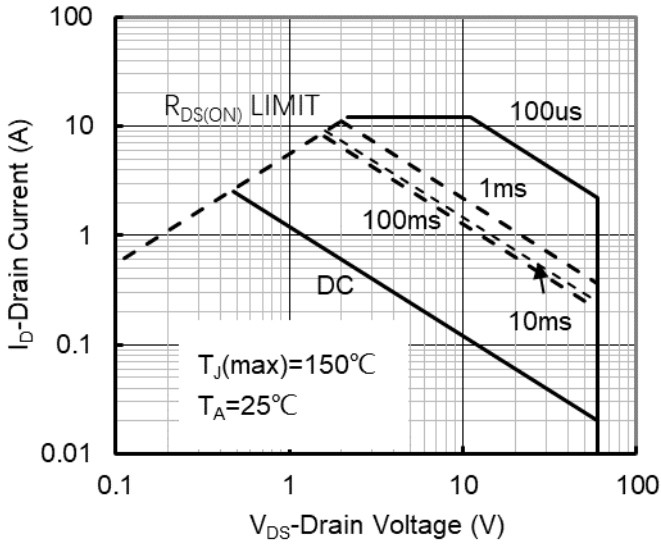


Figure 7. Safe Operation Area

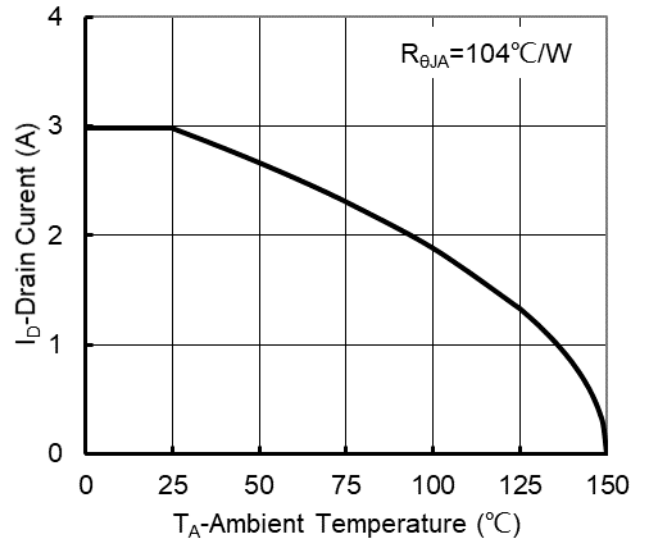


Figure 8. Maximum Continuous Drain Current vs Ambient Temperature

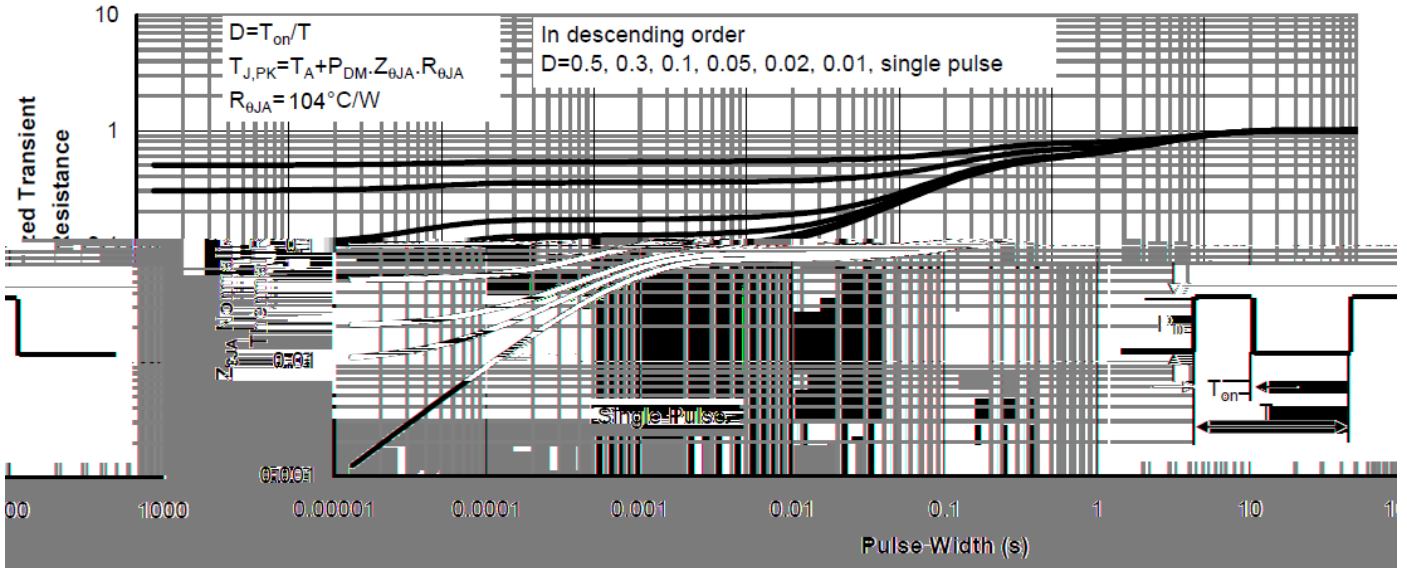


Figure 9. Normalized Maximum Transient Thermal Impedance

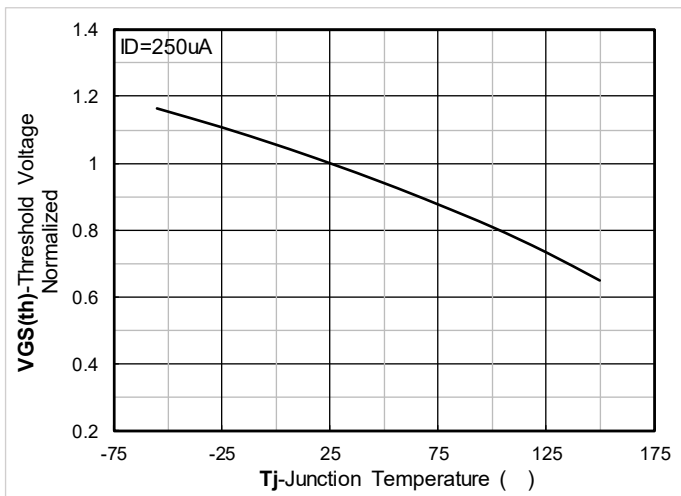
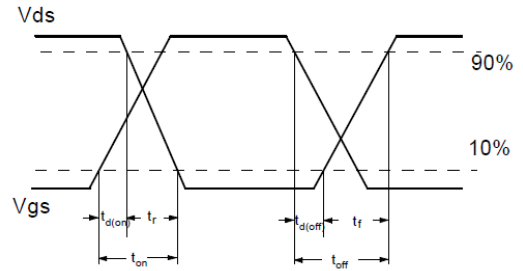
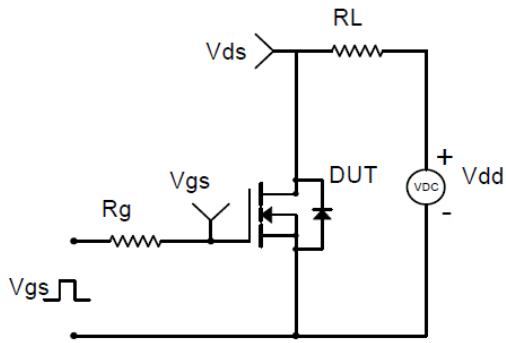
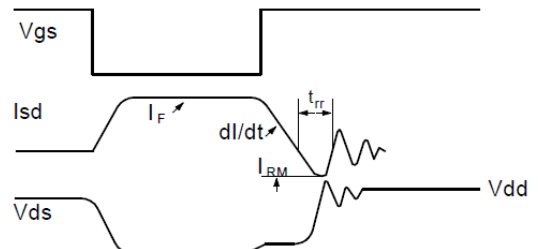
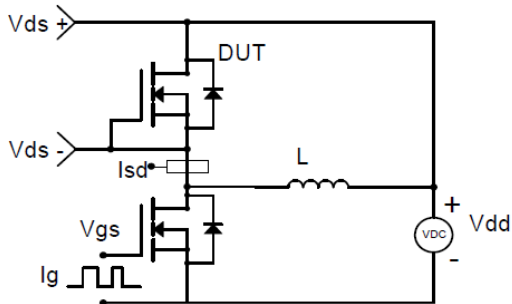


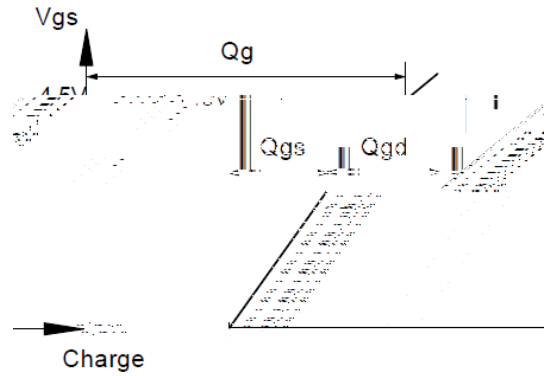
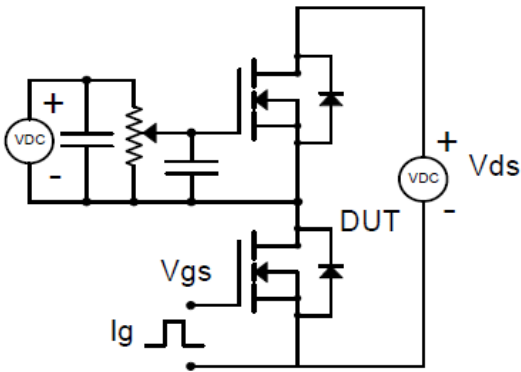
Figure 10. Normalized Threshold voltage



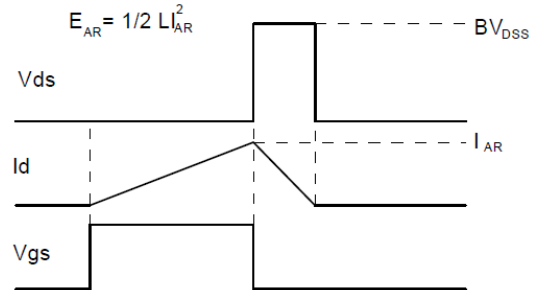
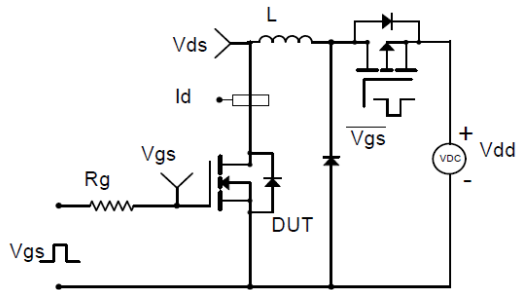
**Resistive Switching Test Circuit & Waveforms**



**Diode Recovery Test Circuit & Waveforms**



**Gate Charge Test Circuit & Waveform**

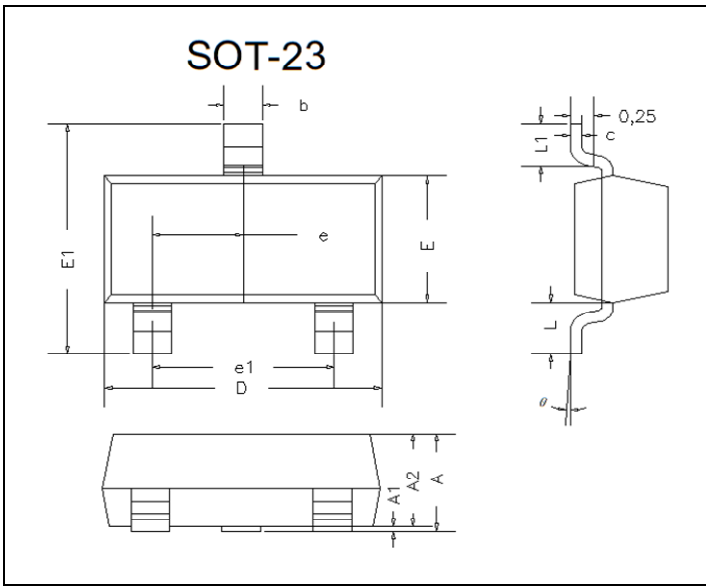


**Unclamped Inductive Switching (UIS) Test Circuit & Waveforms**



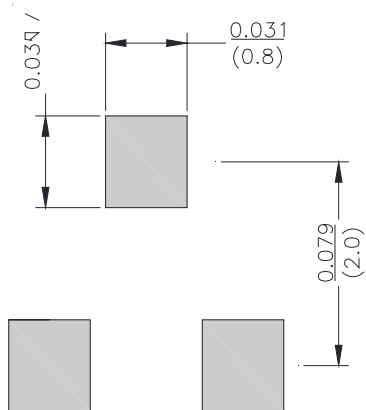
# YJL03N06AQ

## ■ SOT-23 Package information



DIM	INCHES		MM		NOTE
	MIN	MAX	MIN	MAX	
A	0.035	0.045	0.90	1.15	
A1	0.000	0.004	0.00	0.10	
A2	0.035	0.041	0.90	1.05	
b	0.012	0.020	0.30	0.50	
c	0.004	0.008	0.10	0.20	
D	0.110	0.118	2.80	3.00	
E	0.047	0.055	1.20	1.40	
E1	0.089	0.100	2.25	2.55	
e	0.370TYP		0.95TYP		
e1	0.071	0.079	1.80	2.00	
L	0.220REF		0.55REF		
L1	0.012	0.020	0.30	0.50	
θ	0°	8°	0°	8°	

## ■ SOT-23 Suggested Pad Layout





## Disclaimer

The information presented in this document is for reference only. Yangzhou Yangjie Electronic Technology Co., Ltd. reserves the right to make changes without notice for the specification of the products displayed herein to improve reliability, function or design or otherwise.

The product listed herein is designed to be used with automotive electronics, are not designed for use in medical, life-saving, lifesustaining, or military, Yangjie or anyone on its behalf, assumes no responsibility or liability for any damages resulting from such improper use of sale.

This publication supersedes & replaces all information previously supplied. For additional information, please visit our website [http:// www.21yangjie.com](http://www.21yangjie.com) , or consult your nearest Yangjie's sales office for further assistance.