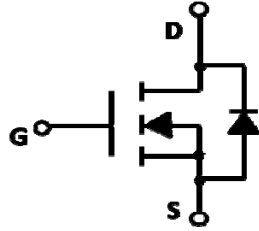
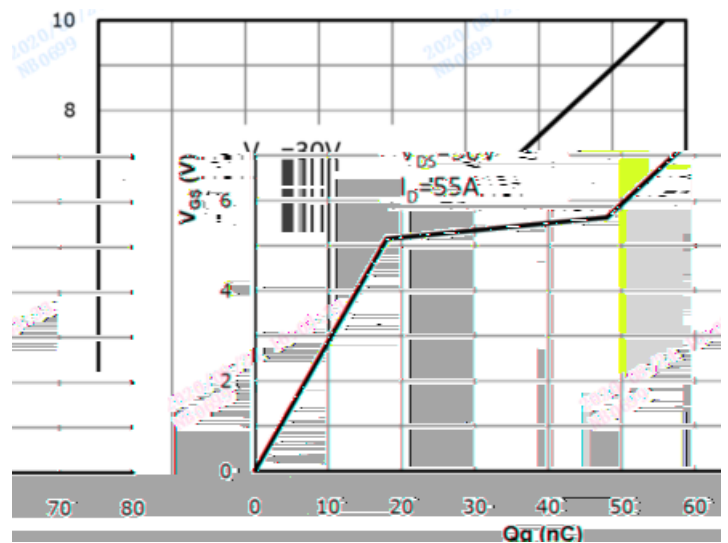
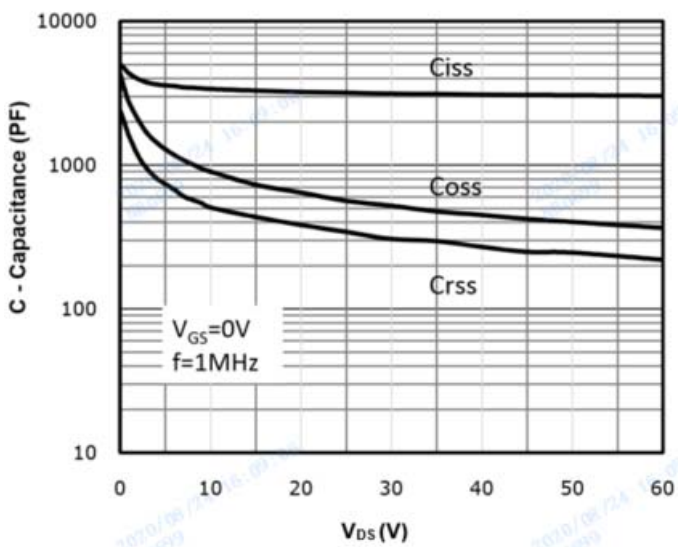
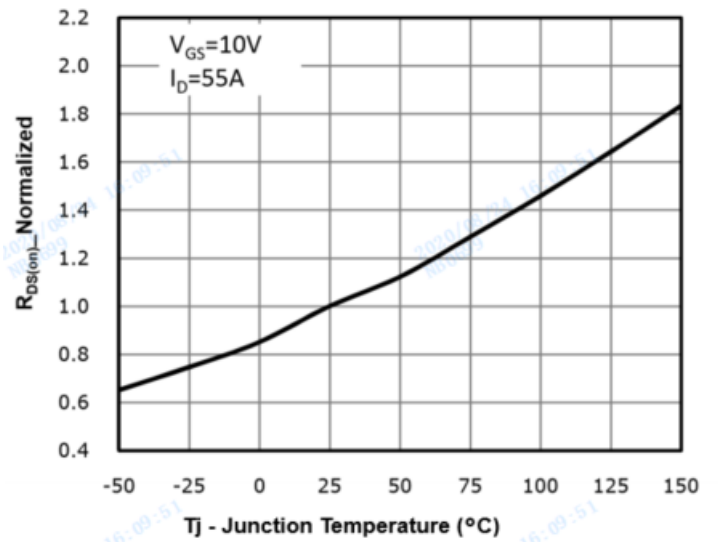
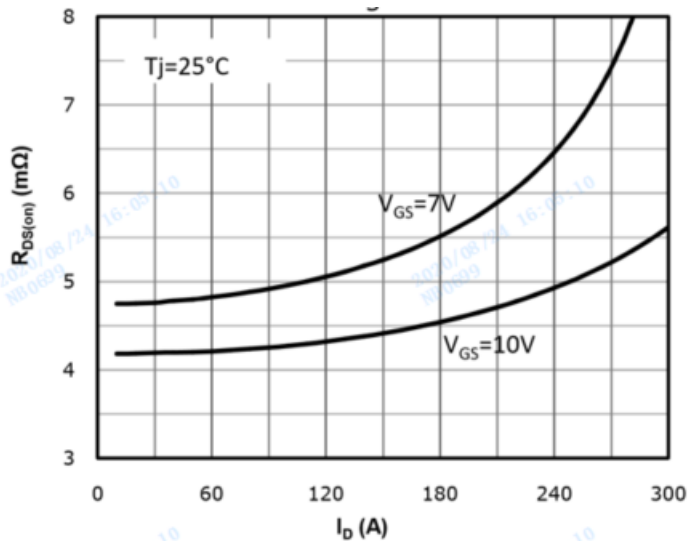
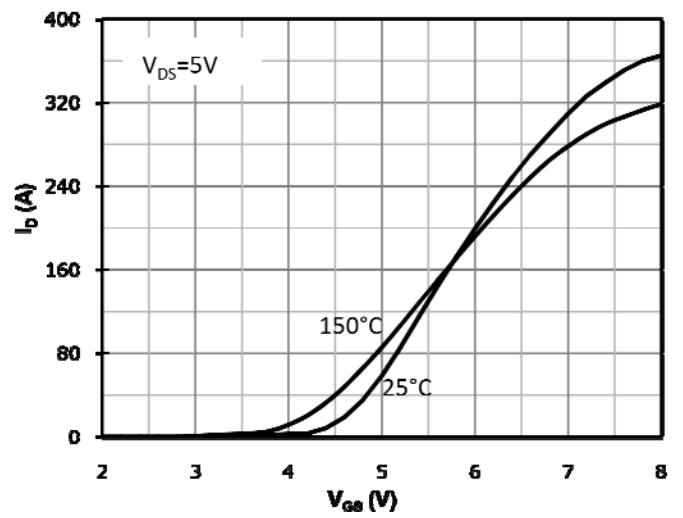
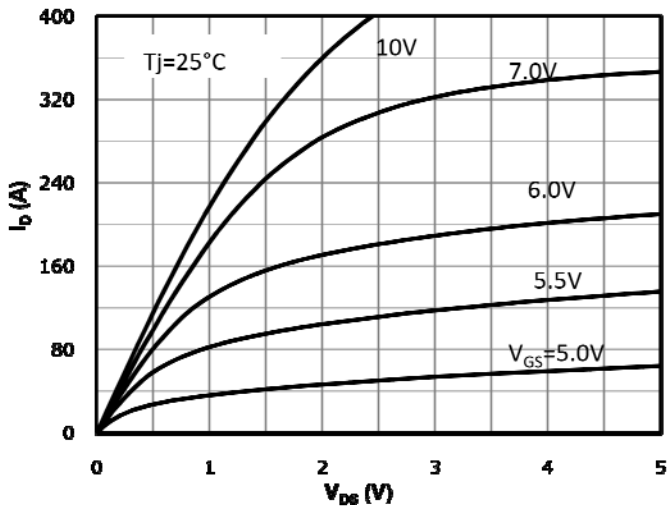


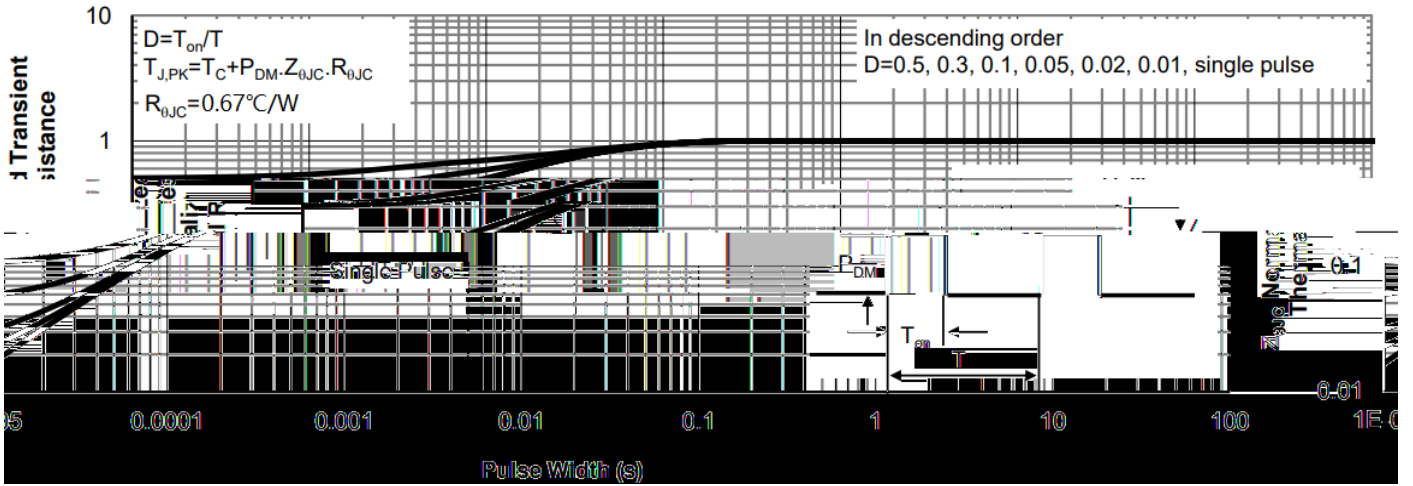
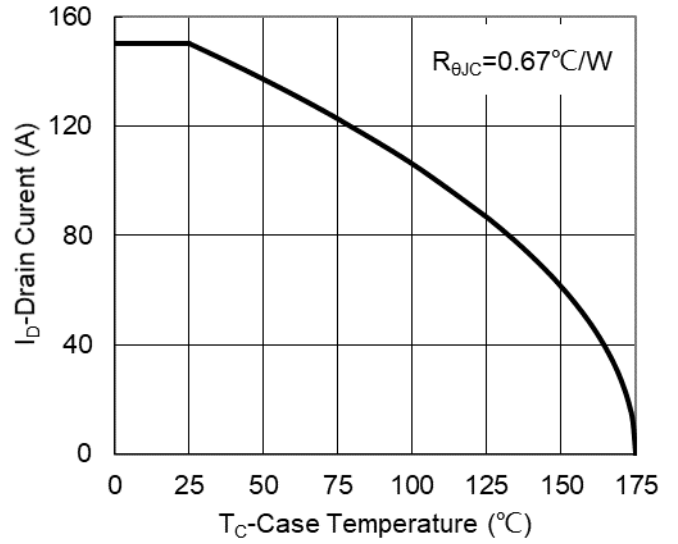
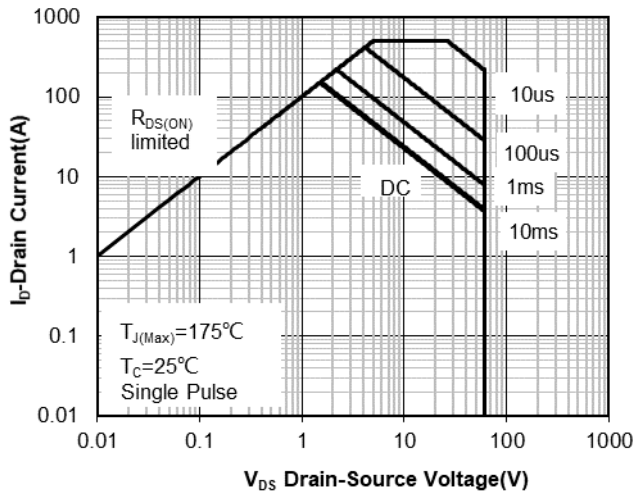
TO-263

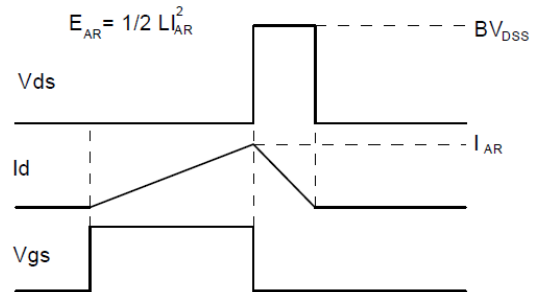
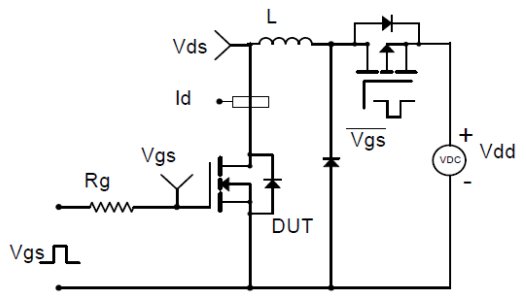
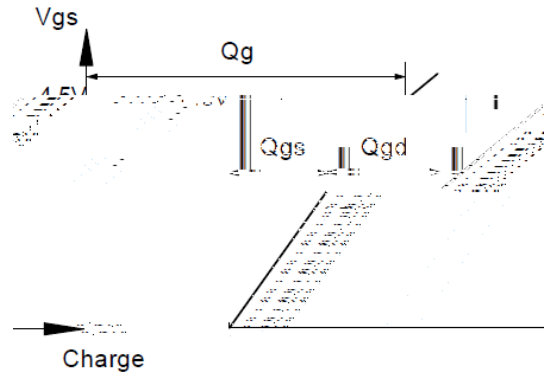
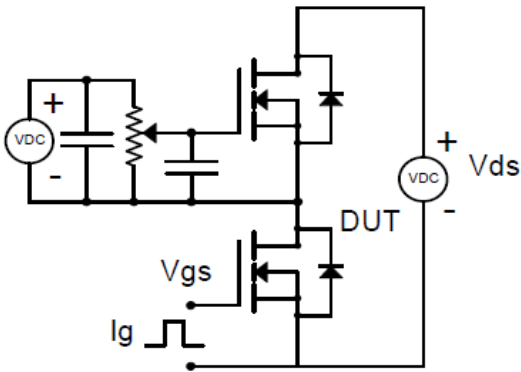
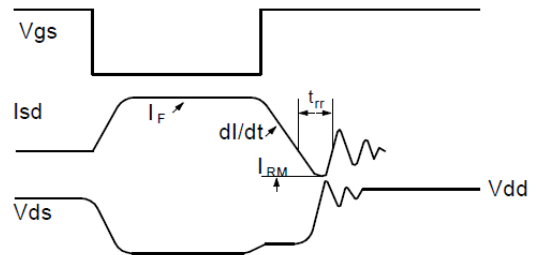
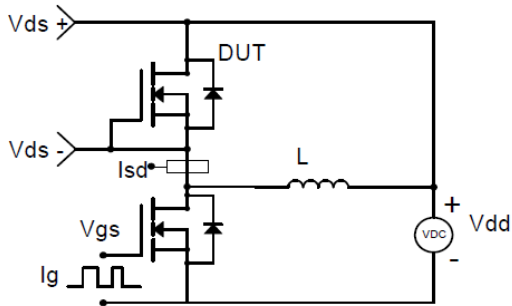
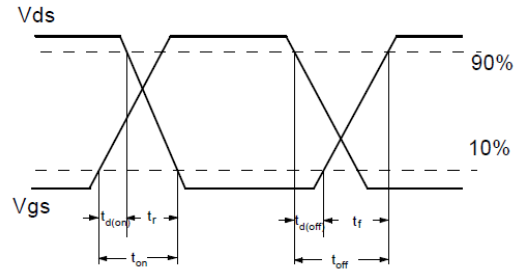
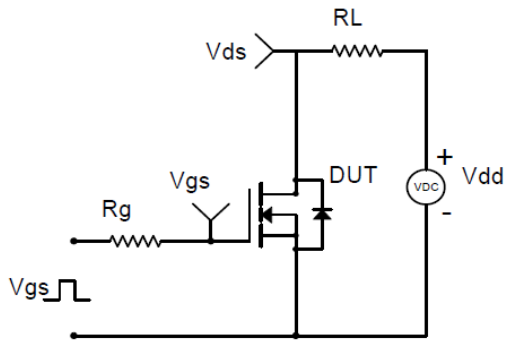


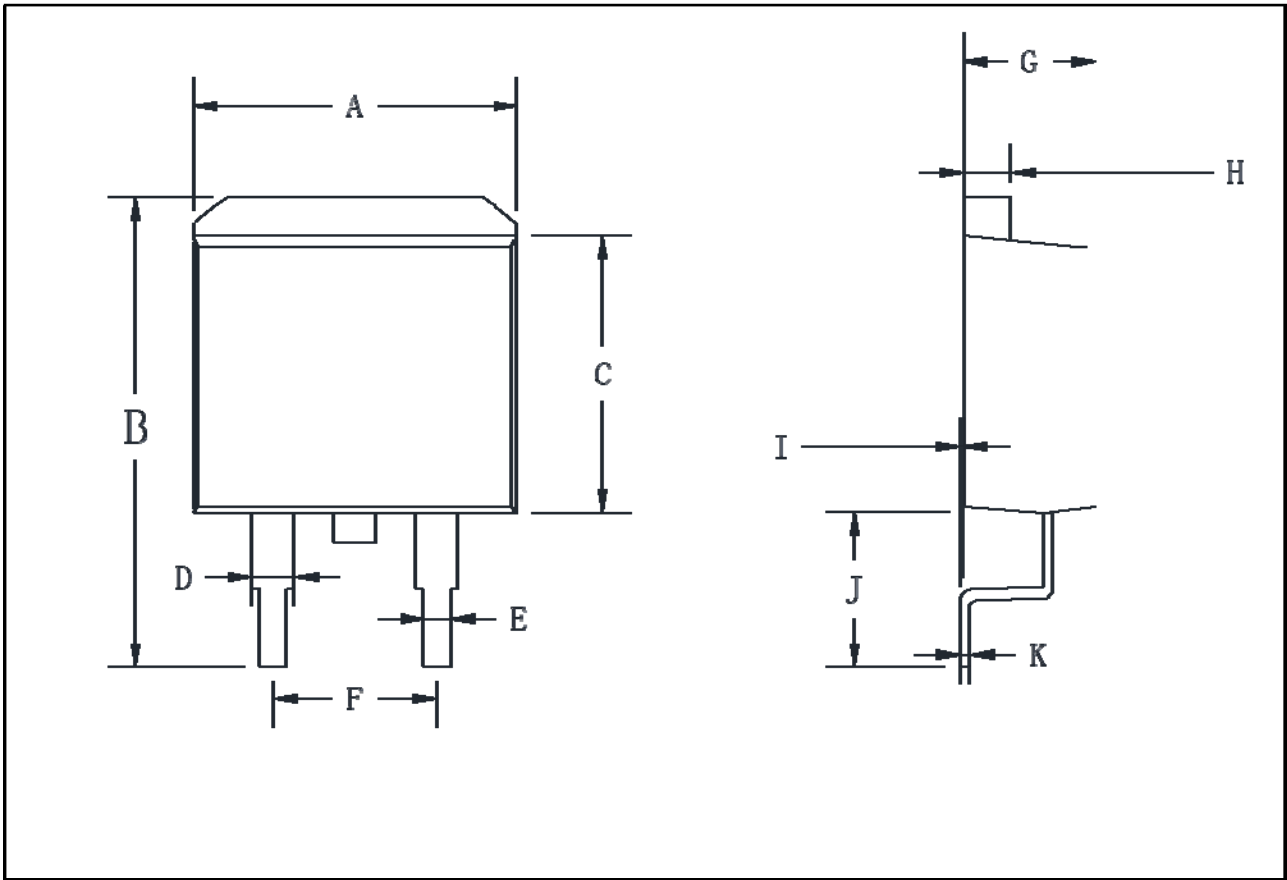
°C

			±	
	°C			
	°C			
	°C			
	°C			
				°C/
			~	°C









A	B	C	D	E	F
10.15 ± 0.05	15.0 ± 0.1	8.7 ± 0.05	1.28 ± 0.03	0.82 ± 0.03	5.06 ± 0.03
G	H	I	J	K	
4.58 ± 0.05	1.27 ± 0.03	0-0.2	5.0 ± 0.10	0.38 ± 0.03	



The product listed herein is designed to be used with automotive electronics, are not designed for use in medical, life-saving, lifesustaining, or military, Yangjie or anyone on its behalf, assumes no responsibility or liability for any damages resulting from such improper use of sale.
