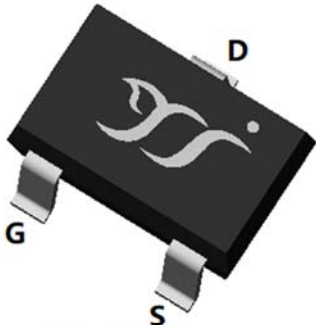


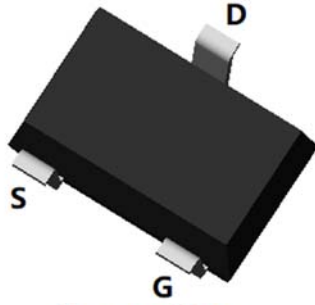


# N-Channel Enhancement Mode Field Effect Transistor

## Product Summary



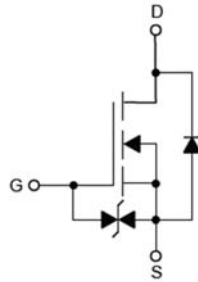
Top View



Bottom View

## General Description

**SOT-323**



## Applications

12V, 24V Automotive systems

### Absolute Maximum Ratings

Parameter	Symbol	Limit	Unit
		±	
			/

### Ordering Information

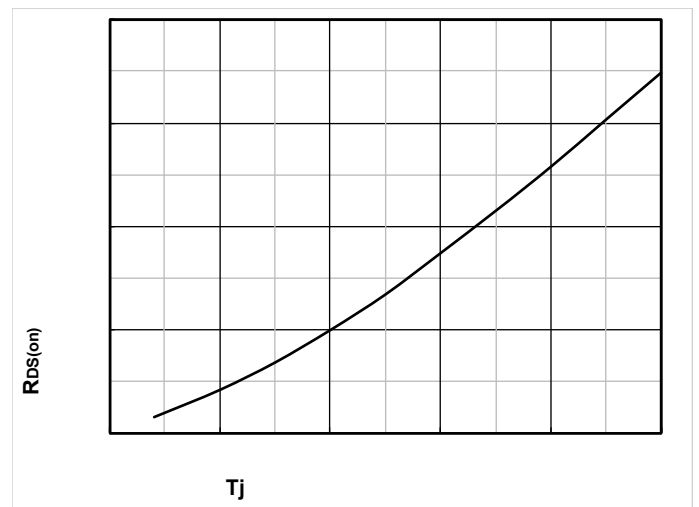
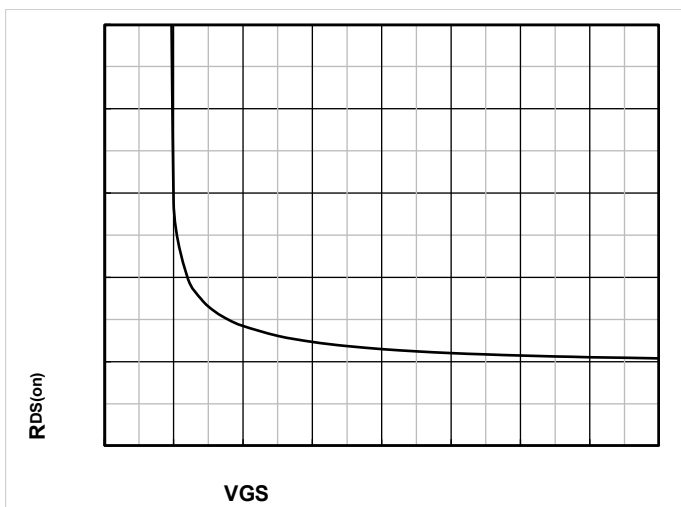
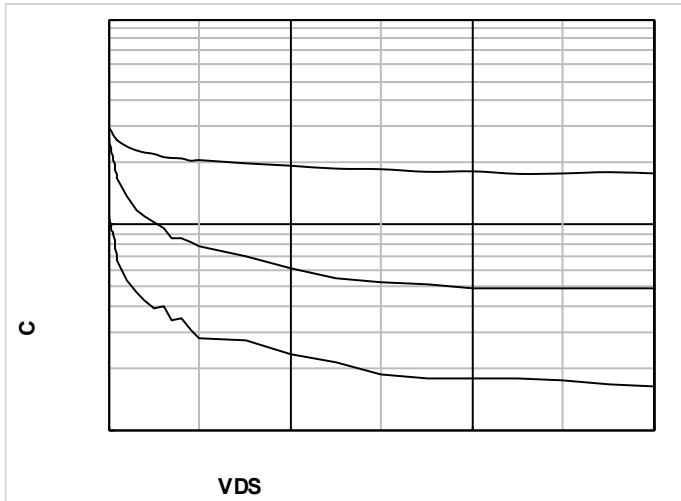
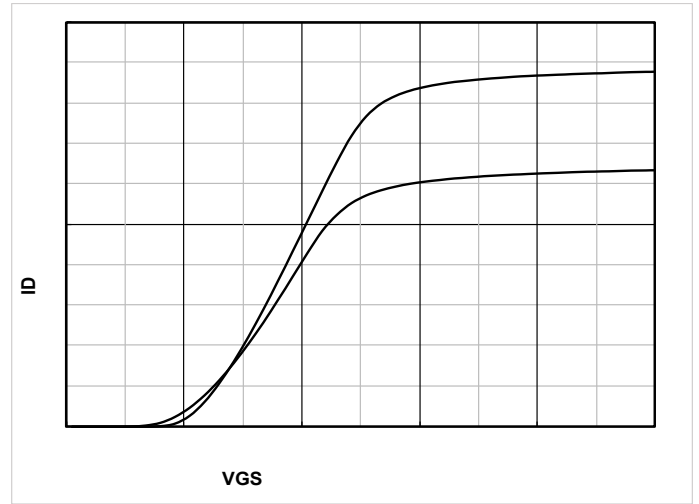
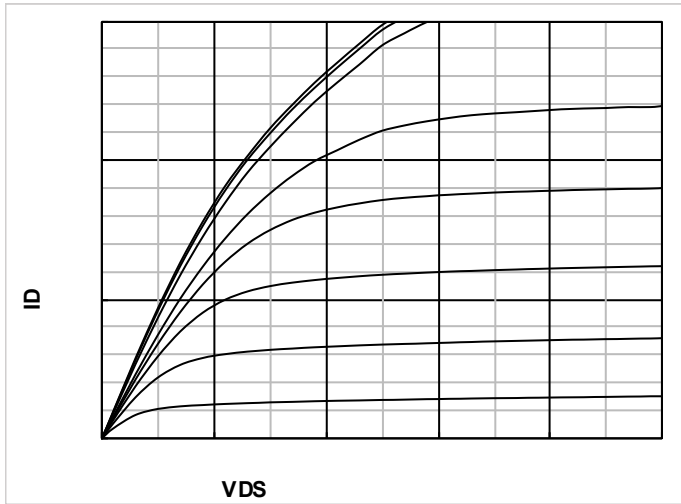
PREFERRED P/N	PACKING CODE	Marking	MINIMUM PACKAGE(pcs)	INNER BOX QUANTITY(pcs)	OUTER CARTON QUANTITY(pcs)	DELIVERY MODE





# 2N7002KDWHQ

## ■ Typical Performance Characteristics





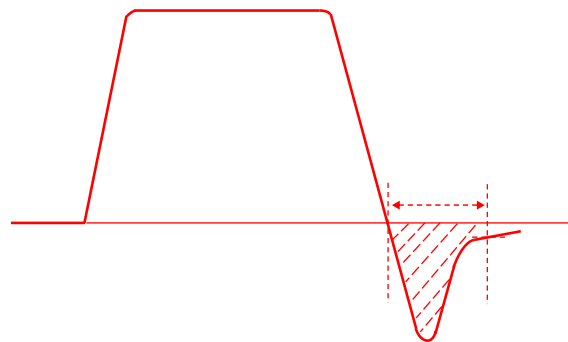
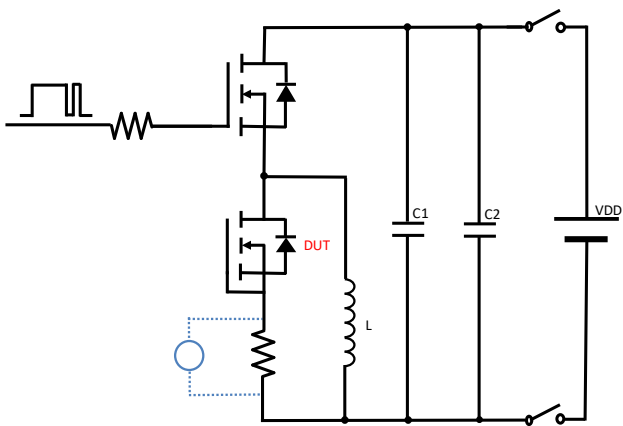
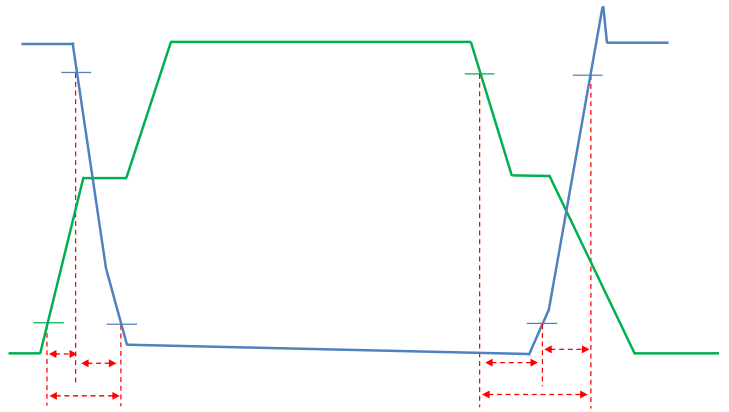
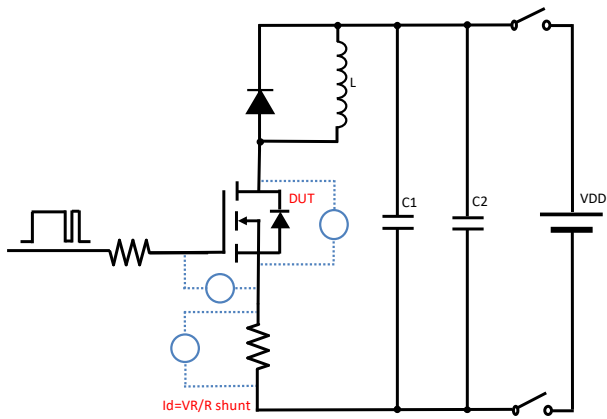
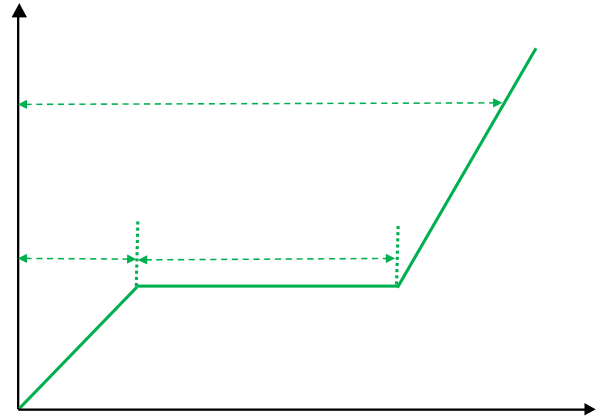
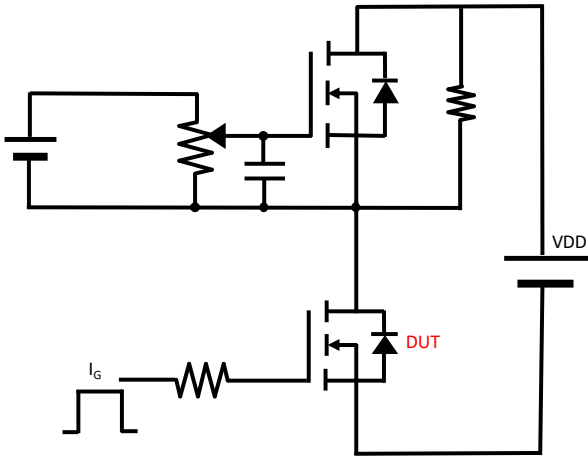
**2N7002KDWHQ**

---



# 2N7002KDWHQ

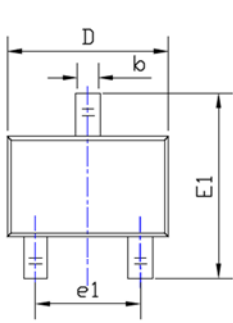
## Test Circuits & Waveforms



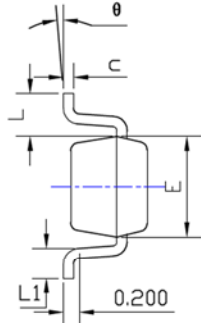


# 2N7002KDWHQ

## SOT-323 Package Outline Dimensions

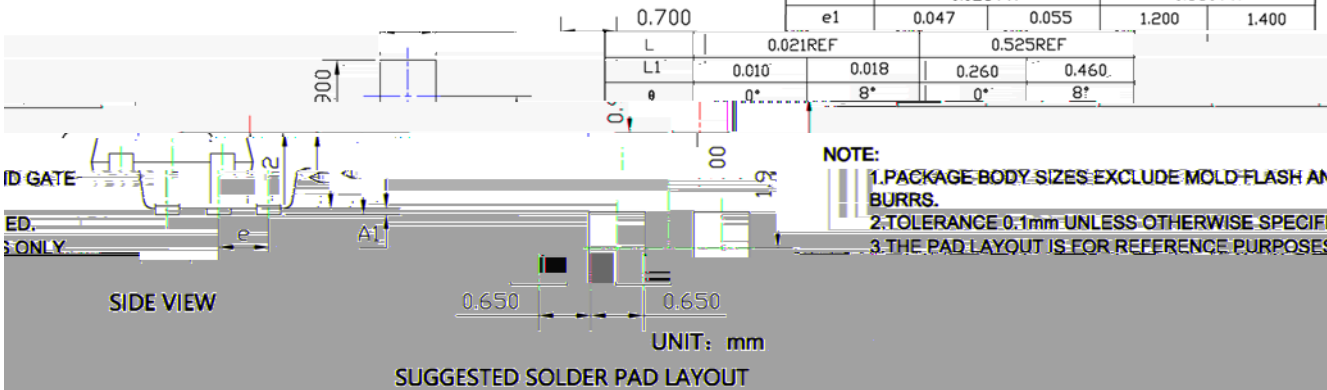


TOP VIEW

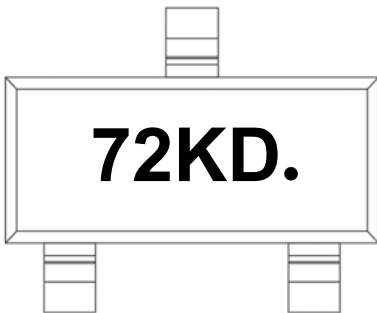


SIDE VIEW

SYMBOL	DIMENSIONS			
	INCHES		Millimeter	
	MIN.	MAX.	MIN.	MAX.
A	0.035	0.043	0.900	1.100
A1	0.000	0.004	0.000	0.100
A2	0.035	0.039	0.900	1.000
b	0.006	0.016	0.150	0.400
c	0.004	0.010	0.100	0.250
D	0.071	0.087	1.800	2.200
E	0.045	0.053	1.150	1.350
E1	0.085	0.096	2.150	2.450
e	0.026TYP		0.650TYP	
e1	0.047	0.055	1.200	1.400



## Marking Information





**2N7002KDWHQ**

---

**Disclaimer**

---

---