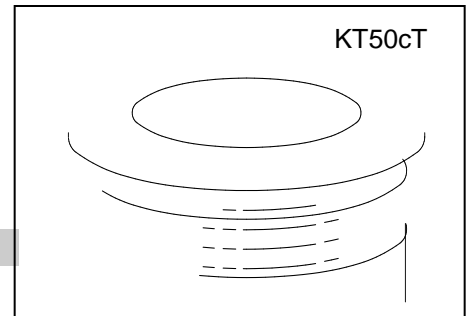




HIGH POWER THYRISTOR FOR PHASE CONTROL APPLICATIONS

Features:

- . All Diffused Structure
- . Amplifying Gate Configuration
- . Blocking capability up to 2400volts
- . High dv/dt Capability
- . Pressure Assembled Device



ELECTRICAL CHARACTERISTICS AND RATINGS

Blocking - Off State

Device Type	V _{RRM} (1)	V _{DRM} (1)	V _{RSM} (1)
KP800/20	2000	2000	2200
KP800/22	2200	2200	2400
KP800/24	2400	2400	2600

V_{RRM} = Repetitive peak reverse voltage
 V_{DRM} = Repetitive peak off state voltage
 V_{RSM} = Non repetitive peak reverse voltage (2)

Repetitive peak reverse leakage and off state leakage	I _{RRM} /I _{DRM}	2 mA 60 mA (3)
Critical rate of voltage rise	dv/dt (4)	1000 V/μsec

Notes:

- (1) All voltage ratings are specified for an applied 50Hz/60Hz sinusoidal waveform over the temperature range 0 to +125°C.
- (2) 10 msec. max. pulse width
- (3) Maximum value for T_j = 125°C.
- (4) Minimum value for linear and exponential waveshape to 67% rated V_{DRM}. Gate open. T_j = 125°C.
- (5). The value of di/dt is established in accordance with standard JB/T 8950.2-2013

Conducting - On State

Parameter	Symbol	Min.	Max.	Typ.	Units	Conditions
Average value of on-state current	I _{T(AV)}		800		A	Sinewave, 180° conduction, T _c =70°C
RMS value of on-state current	I _{TRMS}		1256		A	Nominal value
Peak one cycle surge (non repetitive) current	I _{TSM}		11200		A	10.0 msec (50Hz), sinusoidal waveshape, 180° conduction, T _j = 125°C
I square t	I ² t		6.3x10 ⁵		A ² s	10 msec
Latching current	I _L		1000		mA	V _D = 12 V; R _L = 12 ohms
Holding current	I _H		200		mA	V _D = 12 V; I = 2.5 A
Peak on-state voltage	V _{TM}		1.8		V	I _{TM} =2400A; T _j = 25°C
Threshold voltage, low-level	V _{TO}		0.9		V	T _j =125°C
Slope Resistance, low-level	r _T		0.37			500A to 2000A
Critical rate of rise of on-state current	di/dt		150		6	Repetition

Gating

Parameter	Symbol	Min.	Max.	Typ.	Units	Conditions
Peak gate power dissipation	P _{GM}		20		W	
Average gate power dissipation	P _{G(AV)}		4		W	
Gate-trigger current	I _{GT}		200		mA	V _D = 12 V; R _L = 3 ohms; T _j = +25 °C
Gate- trigger voltage	V _{GT}	0.70	2.5		V	V _D = 12 V; R _L = 3 ohms; T _j = +25°C
Peak negative voltage	V _{GRM}		5		V	

Dynamic

Parameter	Symbol	Min.	Max.	Typ.	Units	Conditions
Delay time	t _d		3.0	2.5	μs	I _{TM} = 50 A; V _D = 67% V _{DRM} Gate pulse: V _G = 30 V; R _G = 10 ohms; t _r 2 % 0 p 2 %
Turn-off time (with V _R = -5 V)	t _q			250	μs	I _{TM} = 500 A; di/dt = -10 A/μs; V _R = 50 V; dV/dt = 30V/μs ; V _D = 67% V _{DRM} ; T _j = 125°C
Reverse recovery charge	Q _{rr}			1500	μC	I _{TM} = 500A; di/dt = -10A/s; V _R = 50 V; T _j = 125 °C

THERMAL AND MECHANICAL CHARACTERISTICS AND RATINGS

Parameter	Symbol	Min.	Max.	Typ.	Units	Conditions
Operating temperature	T _j	-40	+125		°C	
Storage temperature	T _{stg}	-40	+140		°C	
Thermal resistance - junction to case	R _{θ(c)}		0.03		°C/W	Double sided cooled
Thermal resistance - case to heatsink	R _{θ(s)}		0.006		°C/W	Double sided cooled
Mounting force	P			20	kN	
Weight	W			0.33	kg	

* Mounting surfaces smooth, flat and greased

