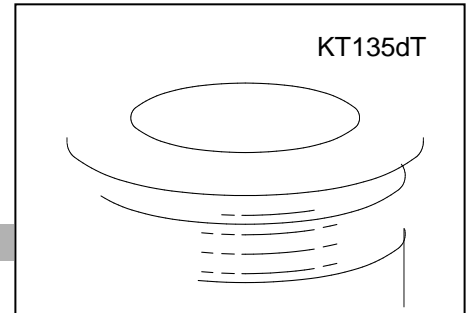




POWER THYRISTOR FOR PHASE CONTROL APPLICATIONS

Features:

- . Free-floating silicon technology
- . Low on-state and switching losses
- . Optimum power handling capability
- . Blocking capability up to 5200 volts
- . Distributed amplifying gate



ELECTRICAL CHARACTERISTICS AND RATINGS

Blocking - Off State

Device Type	V _{RRM} (1)	V _{DRM} (1)	V _{RSM} (1)
KP4750/44	4400	4400	4500
KP4750/46	4600	4600	4700
KP4750/48	4800	4800	4900
KP4750/50	5000	5000	5100
KP4750/52	5200	5200	5300

Notes:

- (1) All voltage ratings are specified for an applied 50Hz/60Hz sinusoidal waveform over the temperature range 0 to +110 °C.
- (2) 10 msec. max. pulse width
- (3) Maximum value for T_j = 110 °C.
- (4) Minimum value for linear and exponential waveshape to 67% rated V_{DRM}. Gate open. T_j = 110 °C.
- (5).The value of di/dt is established in accordance with JB/T 8950.2-2013

V_{RRM} = Repetitive peak reverse voltage
 V_{DRM} = Repetitive peak off state voltage
 V_{RSM} = Non repetitive peak reverse voltage (2)

Repetitive peak reverse leakage and off state leakage	I _{RRM} /I _{DRM}	10mA 500 mA (3)
Critical rate of voltage rise	dv/dt (4)	2000 V/sec (min)

Conducting - On State

Parameter	Symbol	Min.	Max.	Typ.	Units	Conditions
Average value of on-state current	I _{T(AV)}		4750		A	Sinewave, 180° conduction, T _c =70°C
RMS value of on-state current	I _{TRMS}		7460		A	Nominal value
Peak one cycle surge (non repetitive) current	I _{TSM}		87000		A	10.0 msec (50Hz), sinusoidal wave-shape, 180° conduction, T _j = 110 °C
I square t	I ² t		3.7x10 ⁷		A ² s	10 msec
Latching current	I _L		1000		mA	V _D = 12 V; R _L = 12 ohms
Holding current	I _H		200		mA	V _D = 12 V; I = 2.5 A
Peak on-state voltage	V _{TM}		1.38		V	I _{TM} =3000A; T _j =25°C
Threshold voltage, low-level	V _{TO}		1.0		V	T _j =110°C
Slope resistance, low-level	r _T		0.125			3000A to 6000A
Critical rate of rise of on-state current	di/dt		250		6	Repetition

Gating

Parameter	Symbol	Min.	Max.	Typ.	Units	Conditions
Peak gate power dissipation	P_{GM}		20		W	
Average gate power dissipation	$P_{G(AV)}$		4		W	
Gate-trigger current	I_{GT}		400		mA	$V_D = 12\text{ V}; R_L = 3\text{ ohms}; T_j = +25\text{ }^\circ\text{C}$
Gate- trigger voltage	V_{GT}	0.70	2.6		V	$V_D = 12\text{ V}; R_L = 3\text{ ohms}; T_j = +25\text{ }^\circ\text{C}$
Peak negative voltage	V_{GRM}		10		V	

Dynamic

Parameter	Symbol	Min.	Max.	Typ.	Units	Conditions
Delay time	t_d			3.0	μs	$I_{FG} = 2.0\text{ A}; V_D = 0.4V_{DRM}; t_r = 0.5\mu\text{s}$
Turn-off time (with $V_R = -5\text{ V}$)	t_q			800	μs	$I_{TM} = 2000\text{ A}; di/dt = -10\text{ A}/\mu\text{s}; V_R = 50\text{ V}; dV/dt = 30\text{ V}/\mu\text{s}; V_D = 67\%V_{DRM}; T_j = 110^\circ\text{C}$
Reverse recovery charge	Q_{rr}			5500	μC	$I_{TM} = 2000\text{ A}; di/dt = -10\text{ A}/\text{s}; V_R = 50\text{ V}; T_j = 110^\circ\text{C}$

THERMAL AND MECHANICAL CHARACTERISTICS AND RATINGS

Parameter	Symbol	Min.	Max.	Typ.	Units	Conditions
Operating temperature	T_j	-40	+110		$^\circ\text{C}$	
Storage temperature	T_{stg}	-40	+110		$^\circ\text{C}$	
Thermal resistance - junction to case	$R_{\square-c}$		0.004		$^\circ\text{C}/\text{W}$	Double sided cooled
Thermal resistance - case to heatsink	$R_{\square-s}$		0.001		$^\circ\text{C}/\text{W}$	Double sided cooled
Mounting force	P	120	160	120	kN	
Weight	W			3.60	kg	

* Mounting surfaces smooth, flat and greased

