

THREE TERMINAL POSITIVE VOLTAGE REGULATOR

Description

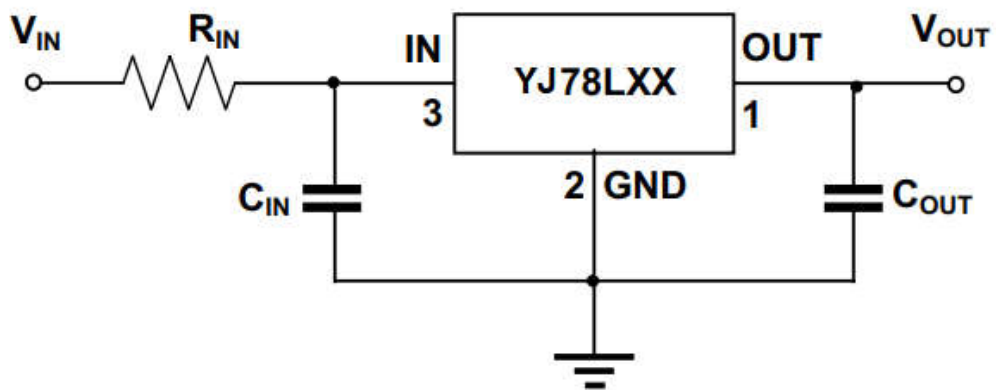
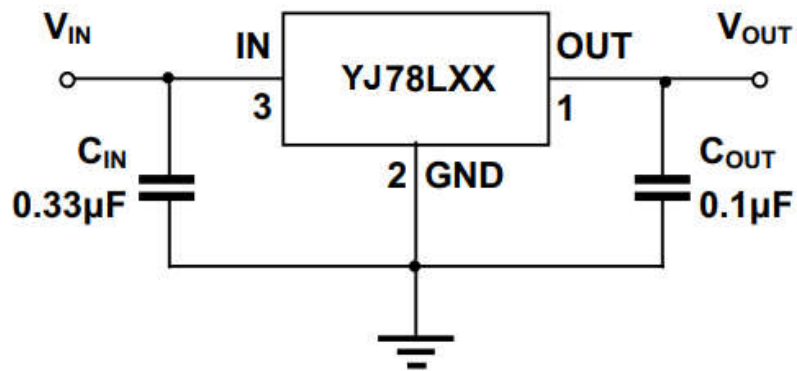
Features

-
-
-
-
-

Applications

-
-
-
-

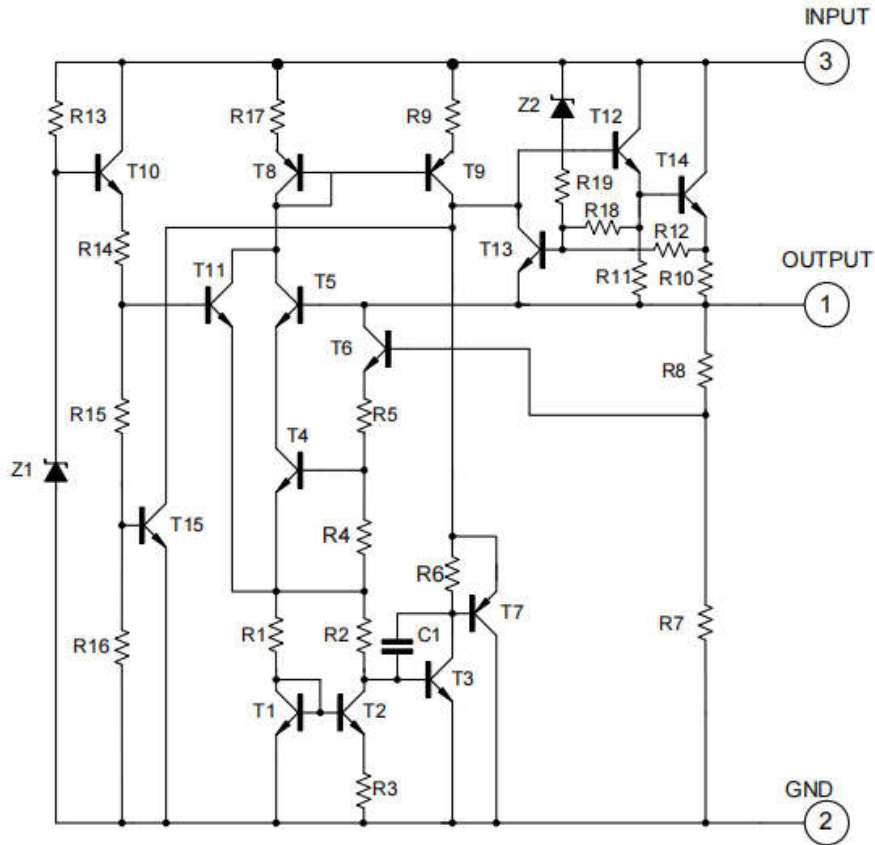
■ Typical Application





YJ78L Series

■ Functional Block Diagram



■ Absolute Maximum Ratings (unless otherwise noted)

Parameter	Symbol	Ratings	Unit
			°C
			°C
			°C

■ Recommended Operating Ratings

Parameter	Symbol	Ratings		Unit
		Min	Max	
				°C



YJ78L Series

■ Electrical Characteristics ($C_{IN}=0.33\mu F$, $C_{OUT}=0.1\mu F$, unless otherwise noted)

Parameter	Symbol	Conditions	Min	Typ	Max	Units
		°C				
		°C				
		°C				
		°C				
		°C				
		°C				
		°C				
		°C				
		°C				
		°C				



YJ78L Series

Parameter	Symbol	Conditions	Min	Typ	Max	Units
		°C				
		°C				
		°C				
		°C				
		°C				
		°C				
		°C				
		°C				
		°C				
		°C				
		°C				
		°C				
		°C				
		°C				

Parameter	Symbol	Conditions	Min	Typ	Max	Units
		°C				
		°C				
		°C				
		°C				
		°C				
		°C				
		°C				
		°C				
		°C				
		°C				
		°C				
		°C				
		°C				
		°C				



YJ78L Series

Parameter	Symbol	Conditions	Min	Typ	Max	Units
		°C				
		°C				
		°C				
		°C				
		°C				
		°C				
		°C				
		°C				
		°C				
		°C				
		°C				
		°C				
		°C				

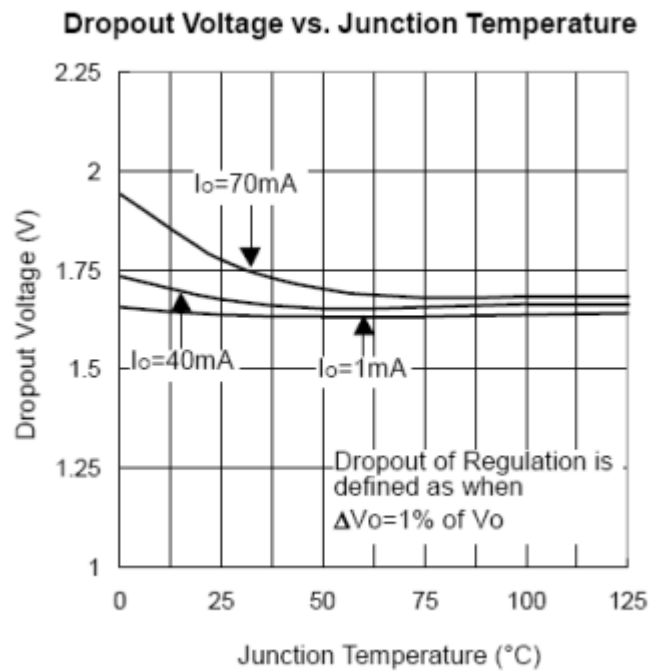
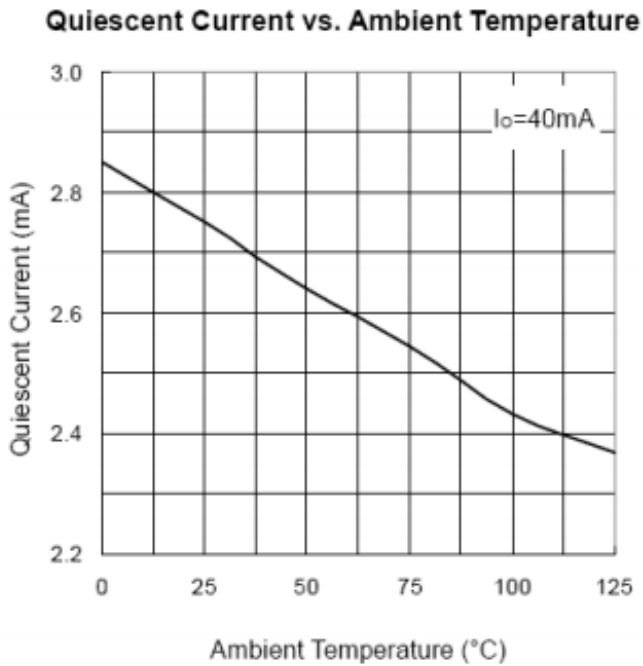
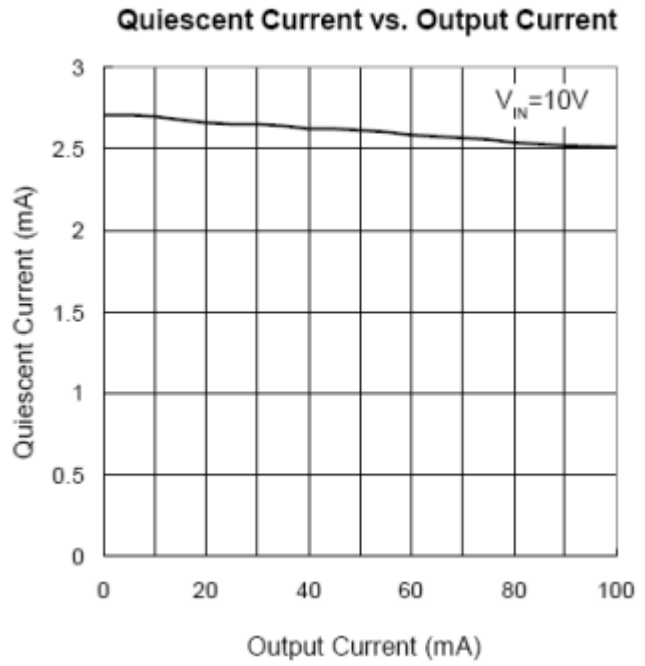
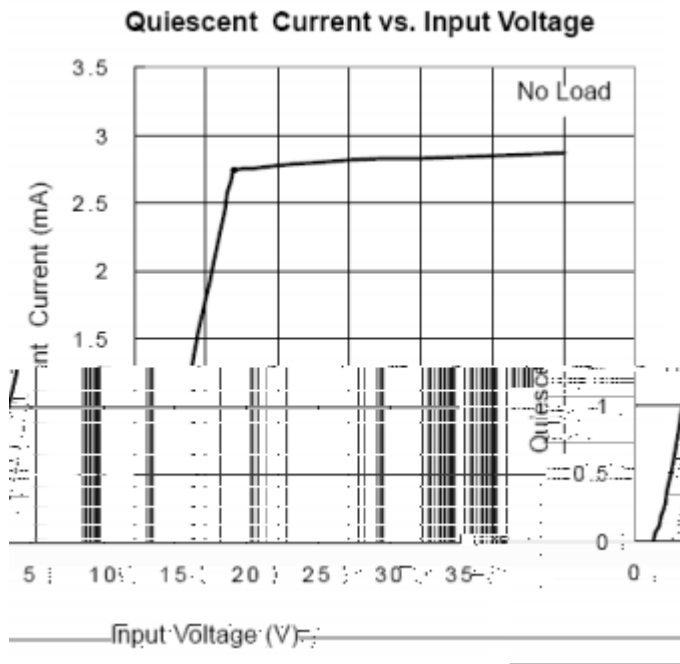
Parameter	Symbol	Conditions	Min	Typ	Max	Units
		°C				
		°C				
		°C				
		°C				
		°C				
		°C				
		°C				
		°C				
		°C				
		°C				
		°C				
		°C				
		°C				
		°C				

Parameter	Symbol	Conditions	Min	Typ	Max	Units
		°C				
		°C				
		°C				
		°C				
		°C				
		°C				
		°C				
		°C				
		°C				
		°C				
		°C				
		°C				
		°C				
		°C				



YJ78L Series

■ Typical Characteristics(78L05)

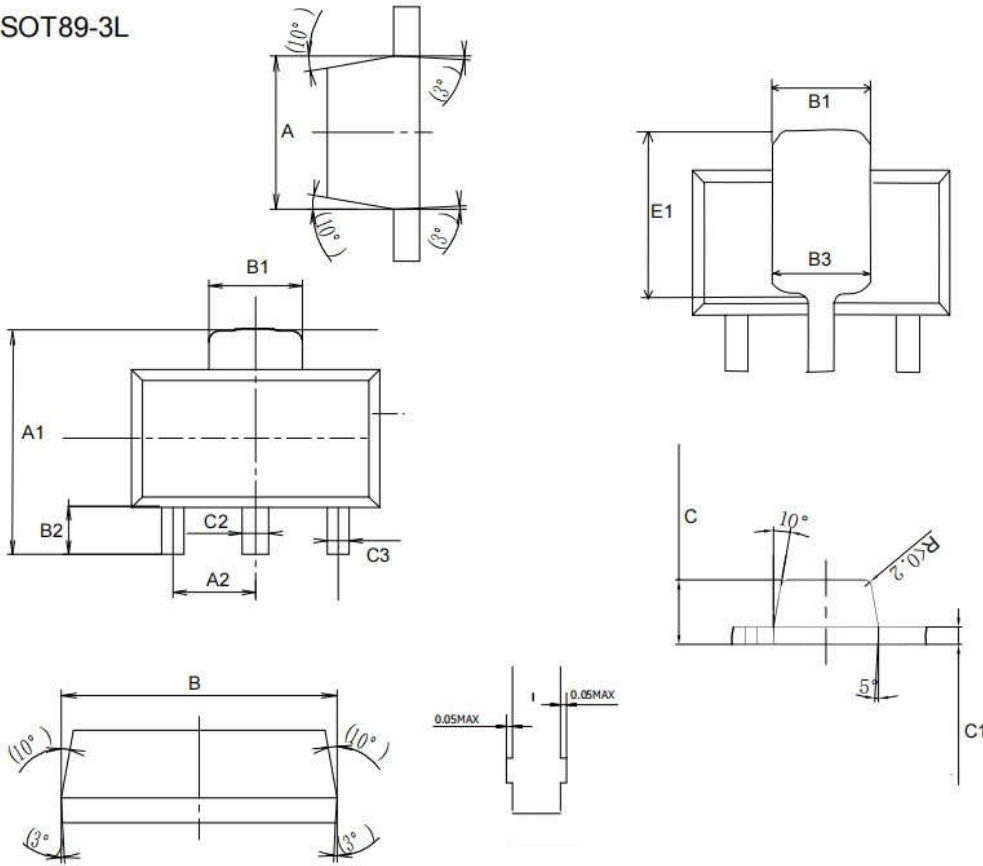




YJ78L Series

■ Package Outline Drawing

SOT89-3L



COMMON DIMENSIONS UNITS MEASURE=MILLIMETER			
SYMBOL	MIN	NOM	MAX
A	2.35	2.45	2.55
A1	4.00	4.10	4.20
A2	1.45	1.50	1.55
B	4.40	4.50	4.60
B1		1.55 REF	
B2	1.00	1.10	1.20
B3		1.63 REF	
C	1.45	1.50	1.55
C1	0.39	0.40	0.41
C2	0.4	0.48	0.55
C3	0.35	0.4	0.45
E1	2.65	2.75	2.85



Disclaimer