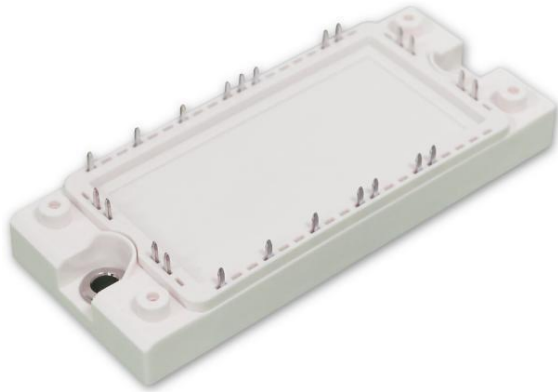




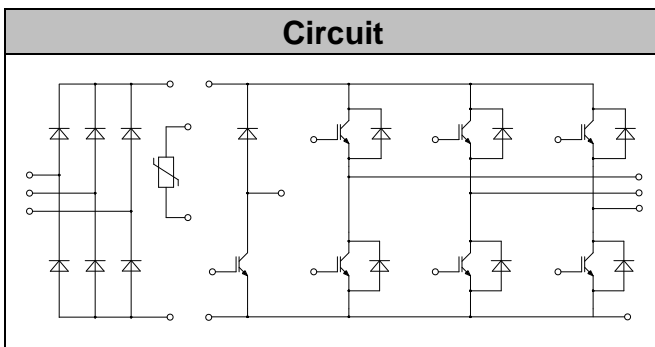
IGBT Modules



V_{CE}S
I_C

Applications

-
-
-



Features

-
-
-
-
-
-

°C

● IGBT- inverter

Absolute Maximum Ratings

Parameter	Symbol	Conditions	Value	Unit
				°C
		°C, T _{vj} = °C		
		°C	±	
		°C		
		°C		



● **IGBT- inverter**

Characteristic values

Parameter	Symbol	Conditions	Value			Unit
			Min.	Typ.	Max.	
		°C				
		°C				
		°C				
		°C				
		°C				
		°C				
		°C				
		°C				
		°C				
		°C				



● **Diode-inverter**

Absolute Maximum Ratings

Parameter	Symbol	Conditions	Value	Unit
		°C		
		°C		
		°C		

Characteristic values

Parameter	Symbol	Conditions	Value			Unit
			Min.	Typ.	Max.	
		°C				
		°C				
		°C				
		°C				
		°C				



		°C				
			°C			

● **Diode-Brake-Chopper**

Absolute Maximum Ratings

Parameter	Symbol	Conditions	Value	Unit
		°C		
		°C		
		°C		

Characteristic values

Parameter	Symbol	Conditions	Value			Unit
			Min.	Typ.	Max.	
		°C				
		°C				
		°C				
		°C				
		°C				



● Diode-Rectifier

Absolute Maximum Ratings

Parameter	Symbol	Conditions	Value	Unit
		°C		
		°C		
		°C		
		°C		
		°C		
		°C		

Characteristic values

Parameter	Symbol	Conditions	Value			Unit
			Min.	Typ.	Max.	
		°C				
		°C				

● NTC-Thermistor

Characteristic values

Parameter	Symbol	Conditions	Value			Unit
			Min.	Typ.	Max.	
						Ω
		Ω				



● Module Characteristics

$T_C=25^{\circ}\text{C}$ unless otherwise specified

Parameter	Symbol	Conditions	Value			Unit
			Min.	Typ.	Max.	
						°C
						°C
						°C
						nH
		°C				mΩ
	θ					
	θ					

